

SANTA YNEZ COMMUNITY SERVICES DISTRICT

MEMORANDUM

TO: Board of Directors
FROM: Loch Dreizler, General Manager
DATE: July 20, 2022
SUBJECT: Sewer Line Settlement Investigative Techniques

Recommendation

Allow an additional 30 days for the new General Manager to understand the project, previous remediations after project completion, and to become familiar with the project bid documents, including items B. "Retention of Defective Work" and 4.10 "Guarantee."

The warranty will expire on November 17, 2022 – 3 months and 28 days from today's date.

Policy Implications

The District has minimum backfill and compaction requirements as laid out in the Design and Construction Standards, as well as Standard Drawings S-2. All new sewer installations must adhere to and follow these requirements to minimize the potential for trench settlement.

Fiscal Implications

The contractor will be responsible until the job warranty expires in November if additional compaction is required.

Alternatives Considered

None

Discussion

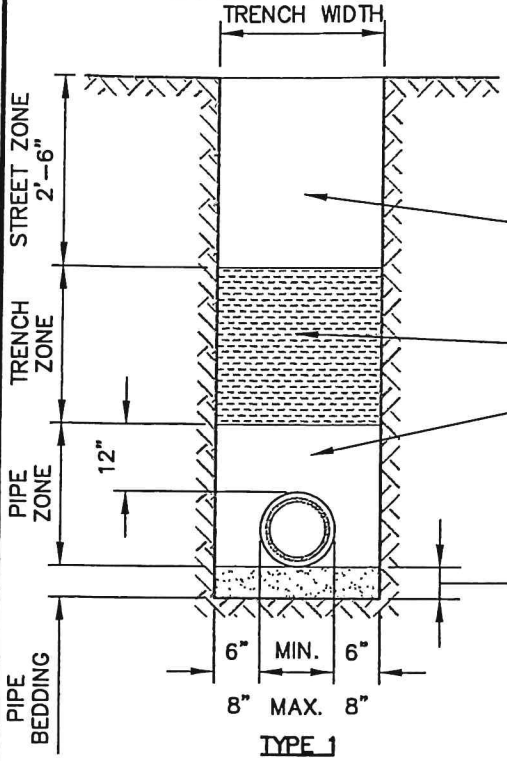
At the June 15, 2022 board meeting, the District's Engineer, Mike Kielborne gave his report on Sewer Line Investigative techniques. The Board informally discussed soaking the area from Mrs. Larson's property to Highway 246 to determine if additional settling might occur.

Loch Dreizler, the new General Manager has also considered asking if Specialty Construction might extend the warranty for an additional 6 months (only for the area from Mrs. Larson's property to Highway 246, not the entire project) to see if fall and winter rainfall creates additional settling.

Attachment:

1. Drawing S-2, Sewer Pipe Bedding and Backfill Details

REVISIONS			
DESCRIPTIONS	BY	DATE	APPROVED



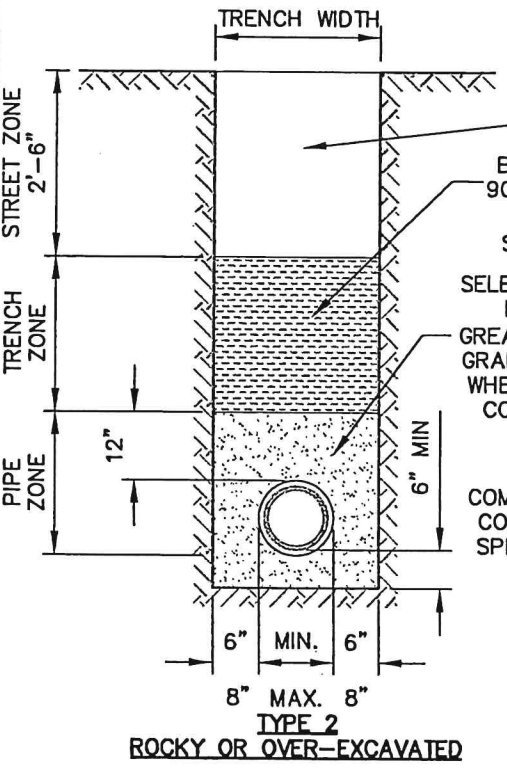
SEE NOTE 3

BACKFILL COMPACTED TO 90% RELATIVE COMPACTION

SELECT MATERIAL COMPACTED TO 90% RELATIVE COMPACTION (3/4" MAX. GRADATION)

3" TO 6" NATIVE MATERIAL WITH 3/4" MAX. GRADATION OR SAND WHERE REQUIRED BY DISTRICT

- NOTES:**
1. SAND AND SELECT MATERIAL SHALL BE PER STANDARD SPECIFICATIONS FOR EARTHWORK.
 2. SEE STANDARD SPECIFICATIONS FOR EARTHWORK IF TRENCH WIDTH EXCEEDS THE MAXIMUM SHOWN ON THIS DRAWING.
 3. STREET ZONE TO BE COMPACTED TO 95% RELATIVE COMPACTION IF WITHIN ROADBED OR TO 90% RELATIVE COMPACTION IF OUTSIDE OF ROADBED. SEE STANDARD SPECIFICATIONS FOR EARTHWORK.
 4. MINIMUM COVER OVER ALL SEWER MAINS TO BE 6' AS MEASURED FROM FINISHED GRADE.
 5. PERCENT RELATIVE COMPACTION IS THE PERCENT OF THE MAX. DRY DENSITY AS DETERMINED BY ASTM D-1557 (5 LAYER)
 6. PAVEMENT, BASE, AND SUBBASE SHALL BE REPLACED IN STREET ZONE PER STANDARD SPECIFICATIONS.



SEE NOTE 3

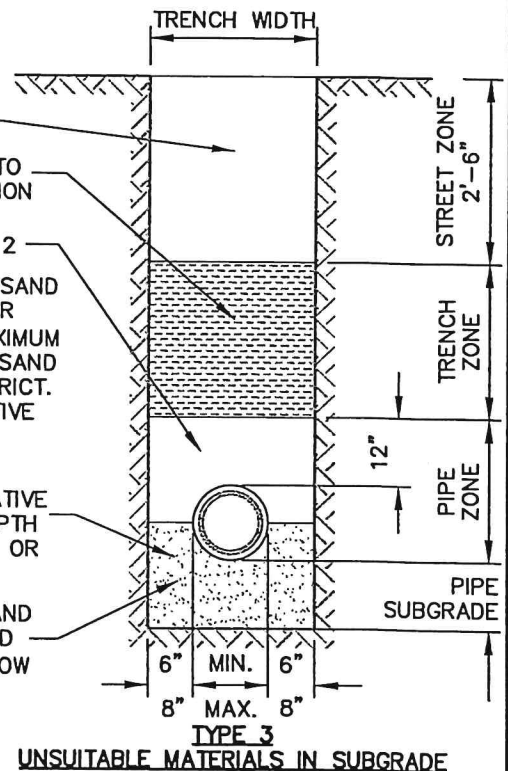
BACKFILL COMPACTED TO 90% RELATIVE COMPACTION

SEE TYPE 1, OR TYPE 2

SELECT MATERIAL WITH A SAND EQUIVALENCY OF 50 OR GREATER AND A 3/4" MAXIMUM GRADATION OR IMPORTED SAND WHERE REQUIRED BY DISTRICT. COMPACT TO 90% RELATIVE COMPACTION.

SAND OR AGGREGATE COMPACTED TO 90% RELATIVE COMPACTION AND TO DEPTH SPECIFIED BY INSPECTOR OR ENGINEER.

(IN ROCKY AREAS, SAND BEDDING IS REQUIRED WITH 6" MINIMUM BELOW THE PIPE)



DATE	SANTA YNEZ COMMUNITY SERVICES DISTRICT	DRAWING NO.
JANUARY 2007	SEWER PIPE BEDDING AND BACKFILL DETAILS	S-2